

Model G045HZ Gear Flow Meter (Frequency) 25 cc/min to 45 liters/min

SPECIFICATIONS

Flow Range	25 cc/min to 45 liters/min
Accuracy (at 30 cP)	± 0.3% of reading over a 100:1 range
Maximum Operating Pressure	6000 psi (414 bar)
Weight	3.7 kg
Recommended Filtration	30 micron
Port Size(s)	1/2" NPT or Manifold Mount
Fluids	Most non-aqueous, hydrocarbon based fluids



MATERIALS OF CONSTRUCTION

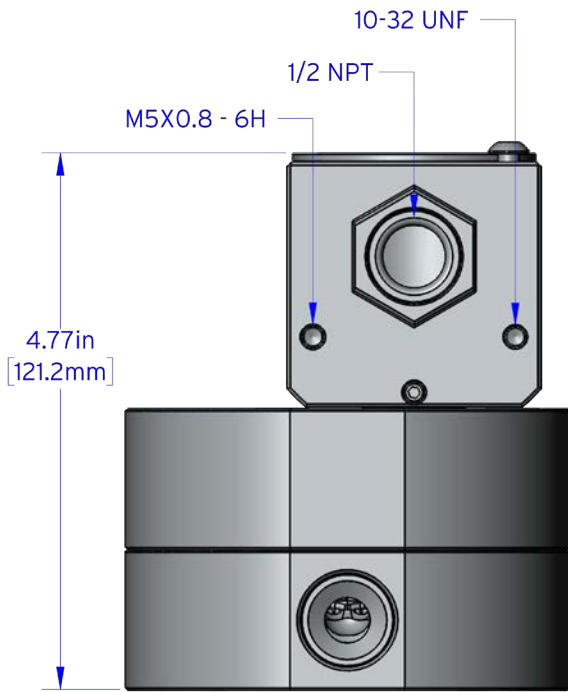
External	Stainless steel, type 316; type 17-4 Bolts
Wetted	Stainless steel, type 316, 440C, 17-4 Nickel plated SmCo magnet
O-Rings	Standard: Viton® Optional: Teflon®, Perfluoroelastomer

FREQUENCY TRANSMITTER

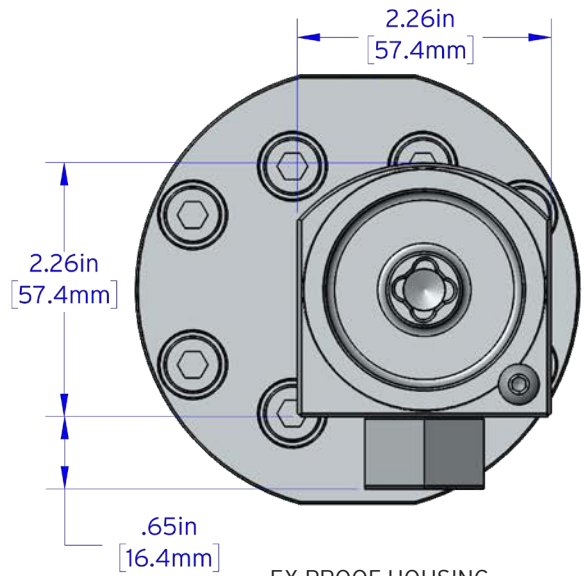
Output Signal	Standard: 5 Vdc, single phase Optional: Quadrature 5 Vdc, two phase Current sinking, 20 mA max., single phase
K-Factor	Single Phase: 70 pulses/cc Two Phase: 140 pulses/cc, 4x decoded (35 pulses/cc/phase, 1x decoded)
Power Supply Requirements	5 - 26 Vdc, @ 30 mA
Ambient Operational Range	-40°C to 75°C, Single piece – Two piece to 110°C
Metered Liquid Temp Range (based on 20° ambient)	-40°C to 75°C, Standard model -40°C to 130°C, Two piece high temperature model
Compliance	CE Certified, Ex-proof version available with ATEX/IECEx II 2 G Ex db IIB Tx Gb as well as UL, cUL certification for Class 1, Division 1, Groups C and D, Tx

Model G045HZ Flow Meter (Frequency)

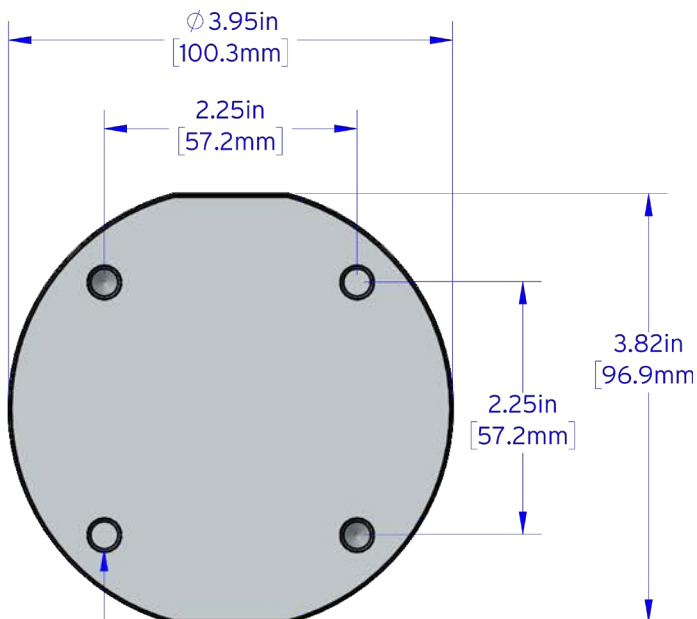
DIMENSIONS (Not to scale)



MODEL G045HZ WITH
EX-PROOF HOUSING



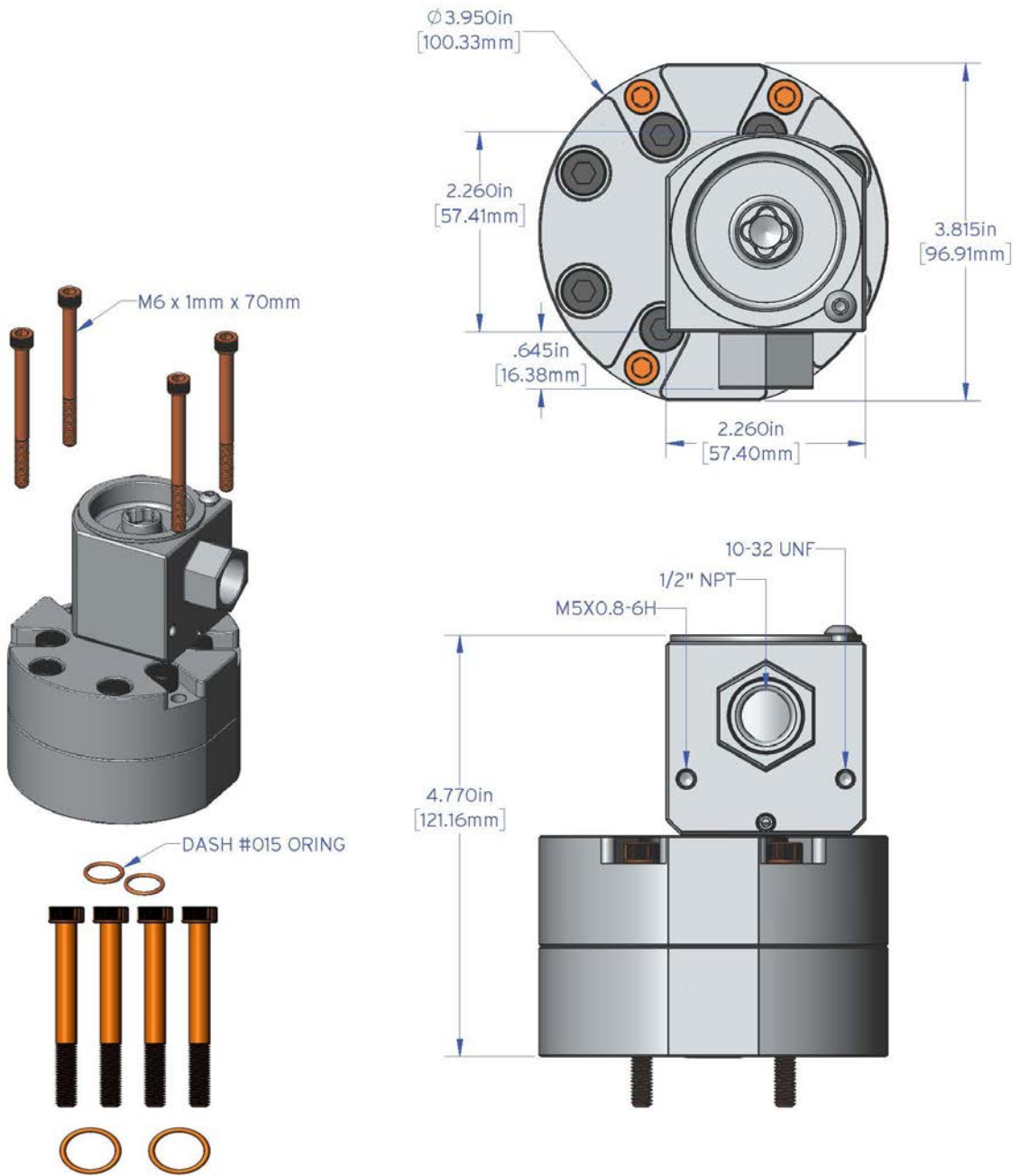
EX-PROOF HOUSING
TOP VIEW



4X 1/4-20 UNC
BOTTOM VIEW

Model G045HZ Flow Meter (Frequency)

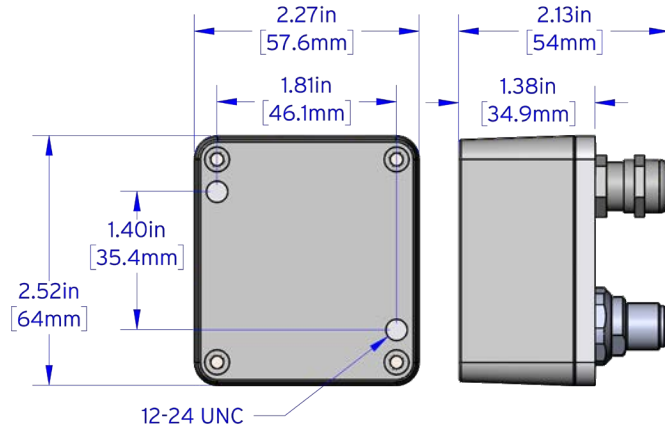
DIMENSIONS (Not to scale) - Manifold Specifications



INSTALLATION KIT			
Description	G045-MM-KIT-VIT-SIQTY.	G045-MM-KIT-TEF-SIQTY.	G045-MM-KIT-PER-SIQTY.
SHCS M6x1x70 17-4	4	4	4
O-RING 90 FKM 9/16X11/16X1/16	2	-	-
O-RING PTFE 9/16X11/16X1/16	-	2	-
O-RING 90 FFKM 9/16X11/16X1/16	-	-	2

Model G045HZ Flow Meter (Frequency)

DIMENSIONS (Not to scale)



REMOTE PCA ENCLOSURE FOR HIGH TEMPERATURE TRANSMITTERS
(User supplied interconnect cable required, not shown)

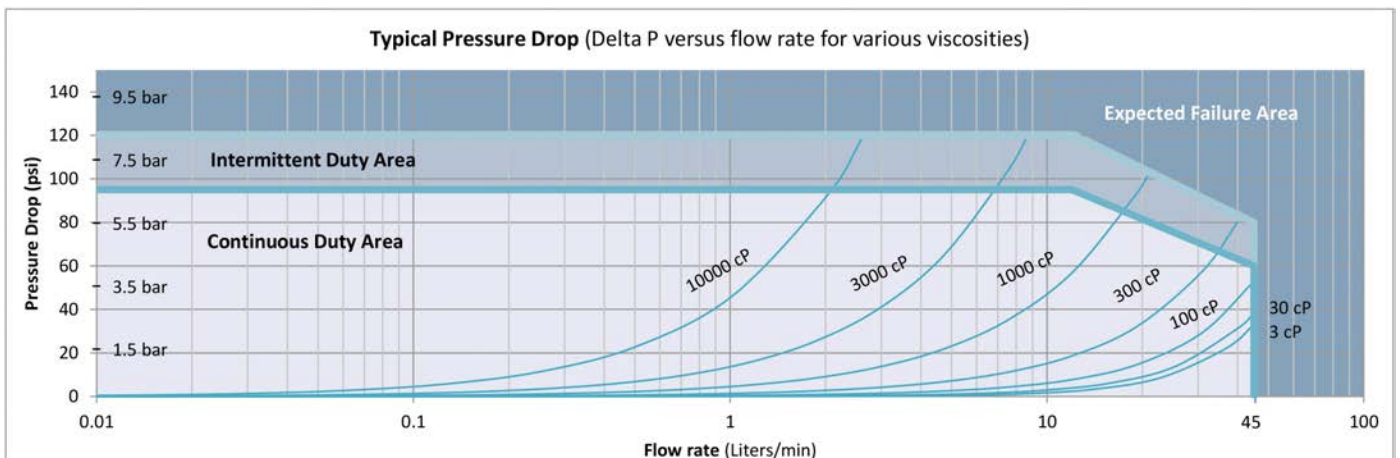
CONNECTIVITY

Pulse Output Wiring	Pulse PCB Label	Analog Output Wiring	Analog PCB Label	Wiring Adaptor Pin #	Two Part Transmitter Wiring	
					Ex-Proof Sender (Example: EX29x-051-000)	Remote Receiver (Example: EX296-x8x-xxx)
Power *	V+	Power	V+	1	Case	Case
Common	Com	Common	Com	2	5V	5V
Signal Output	PhA	Signal Output (+)	Sig	3	Ra	Ra
(Quad only)	PhB	Signal Output (-)	Ret	4	Rb	Rb
Case Ground	Case	Case Ground	Case	5	Com	Com

For reference only. See Installation Instructions - Hazardous Locations document EXInstallEnglish-Rev3-MultiLanguage-Rev2019A

* Please specify 12Vdc or 24Vdc operation

PRESSURE DROP GRAPH





Max Machinery, Inc.
an ISO 9001:2015 certified company

Positive Displacement Flow Meters Gear Type, G-Series, 316 Stainless Steel

Flow Meter Selections Transmitter Selections

Model # HZ NA / 2 / 1 - Non-Standard Options

Bi-Directional Cal: BID

1 Transmitter Type

Max Flow Range

4 Liters/Min G004
15 Liters/Min G015
45 Liters/Min G045

Pressure

6000 psi (414 bar) HZ

Fluid Connection

NPT 1
Manifold Mount 4

Seal Selection

Viton® - FKM 1
Teflon® - PTFE*** 3
Perfluoroelastomer - FFKM 5

Options

None NA

Output Type

A 4-20mA Output - Powered by 24 Vdc
A 4-20mA Output - Powered by 12 Vdc
A 0-10 Volt Output - Powered by 24 Vdc
A 0-10 Volt Output - Powered by 12 Vdc
P 5V Pulse/Freq. - Powered by 5-26 Vdc
Q 5V Quadrature - Powered by 5-26 Vdc
P Current Sinking, Single Phase

Temperature Rating

1 75°C Haz-Loc
2 130°C Haz-Loc, 2 Part**

Electrical Connection

2 Hazardous Location, 1/2 Inch Conduit*

Signal Type

P Pulse
A Analog
Q Quadrature

- * See temp chart in product manual.
- ** Receiver portion of 2 part transmitters are not rated Ex-Proof, consult factory.
- *** Teflon® not used above 90°C for this high pressure rated product.

Product includes single directional calibration, bi-directional calibrations for analog and quadrature devices are optional.



Model G045HZ